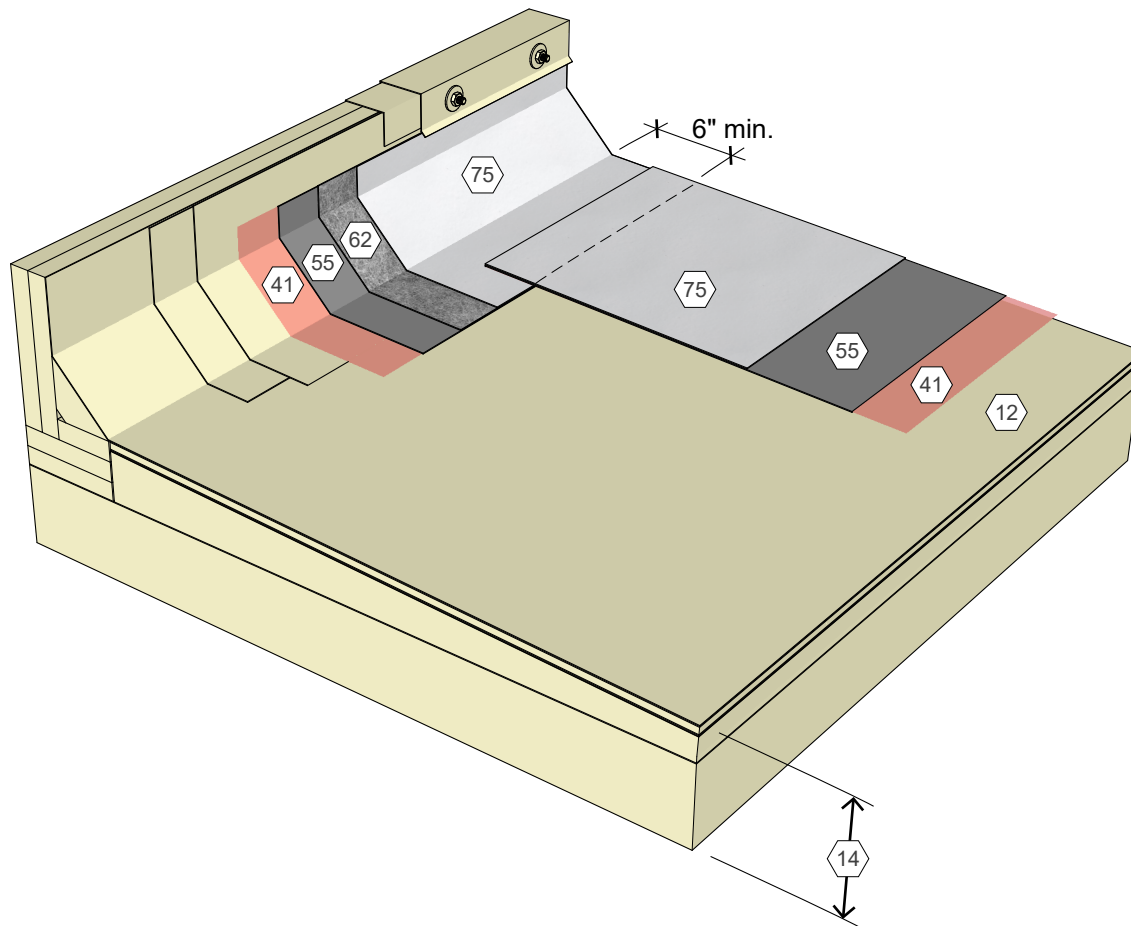


KEY NOTES

- ① Existing Single-Ply Membrane
- ② Existing Structural Deck and Insulation Assembly
- ③ Approved Primer
- ④ Geogard Base Coat
- ⑤ Permafab
- ⑥ Geogard Finish Coat

Geogard® Restoration Detail, Single-Ply, Wood Curb
 Detail 17131



KEY NOTES

- ⑫ Existing MB or Smooth BUR
- ⑭ Existing Structural Deck and Insulation Assembly
- ④① Approved Primer
- ⑤⑤ Geogard Base Coat
- ⑥② Permafab
- ⑦⑤ Geogard Finish Coat

Geogard® Restoration Detail, MB or Smooth BUR, Wood Curb
 Detail 17132